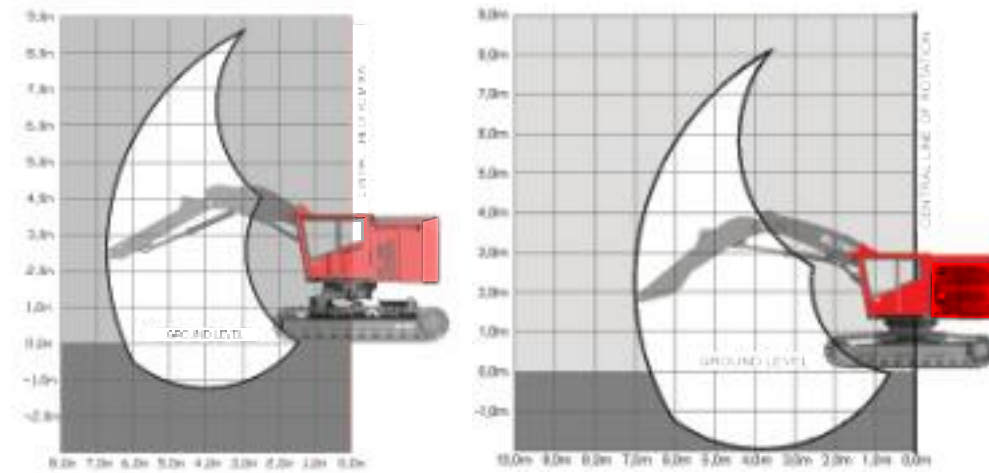
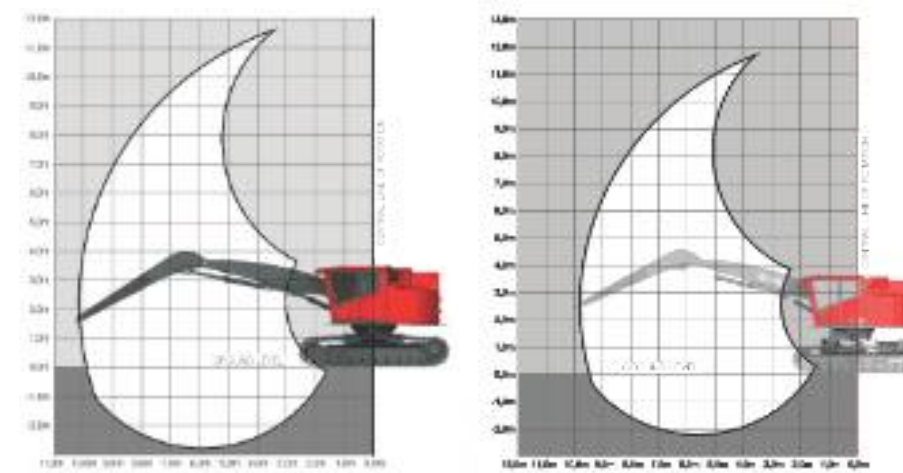


270B SERIES - FB + FBL



270B SERIES - FH + FHL



ELTEC

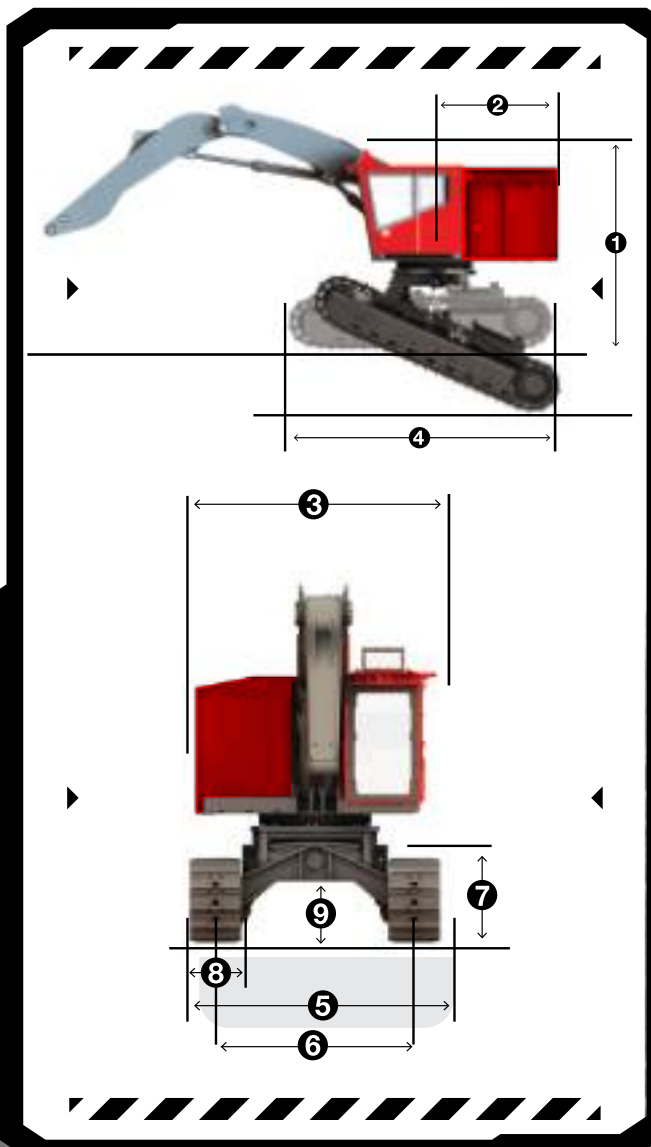
277B SERIES

FELLER HARVESTER FELLER BUNCHER

POWERFUL RELIABLE

BUILT FOR FORESTRY

WWW.ELTEC.TECH

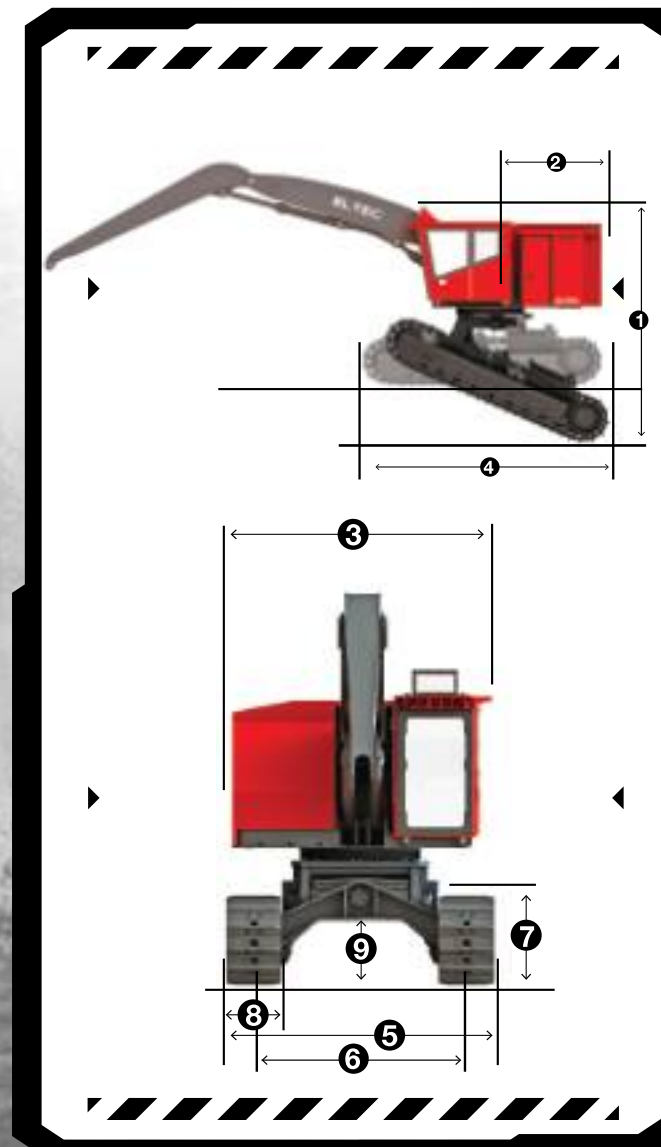


REFILL CAPACITIES	FB277BL	FBL277BL
Diesel Reservoir	1048L / 277 USgal	1048L / 277 USgal
Hydraulic Reservoir	284L / 75 USgal	284L / 75 USgal
Auxiliary hydraulic reservoir	45L / 12 USgal	45L / 12 USgal
DEF Reservoir	111L / 29.5 USgal	111L / 29.5 USgal

MACHINE DIMENSIONS	FB277BL	FBL277BL
1 Overall Height	3429mm / 8'-3"	3700mm / 12'-2"
2 Tail Swing (From Swing Center)	2628mm / 8'-7"	2628mm / 8'-7"
3 Upper Structure Overall Width	3225mm / 10'-7"	3225mm / 10'-7"
4 Overall Track Length	5194mm / 17'-1"	5194mm / 17'-1"
5 Overall Track Width	3454mm / 11'-4"	3454mm / 11'-4"
6 Track Gauge	2743mm / 9'-0"	2743mm / 9'-0"
7 Track Height	1220mm / 4'-0"	1220mm / 4'-0"
8 Track Width	711mm / 2'-4"	711mm / 2'-4"
9 Minimum Ground Clearance	870mm / 2'-10"	870mm / 2'-10"
Machine weight**	33398kg / 73475lbs	37170kg / 83475lbs
Ground Pressure Single Grouser (711mm / 2'-4")	(55.5 kPa / 8.0 psi)	(63.1 kPa / 9.1 psi)

**basic, without skylight and accessories

BOOM SYSTEM PERFORMANCE	FB277BL & FBL277BL
Standard Cylinders	125mm / 4.9"
Optional Cylinders	135mm / 5.3"
FB28 - Boom Length (min/max)	4,4m (14'6")/ 8,6m (28'4")
FB28 - Bare Pin Lifting Capacity (standard cylinder)	4,6m (15') = 14650 kg (32250 lb)
	6,1m (20') = 10620 kg (23360 lb)
Full reach	7090 kg (15600 lb)



REFILL CAPACITIES	FH277BL	FHL277BL
Diesel Reservoir	1048L / 277 USgal	1048L / 277 USgal
Hydraulic Reservoir	284L / 75 USgal	284L / 75 USgal
Auxiliary hydraulic reservoir	45L / 12 USgal	45L / 12 USgal
DEF Reservoir	111L / 29.5 USgal	111L / 29.5 USgal

MACHINE DIMENSIONS	FH277BL	FHL277BL
1 Overall Height	3429mm / 8'-3"	3700mm / 12'-2"
2 Tail Swing (From Swing Center)	2628mm / 8'-7"	2628mm / 8'-7"
3 Upper Structure Overall Width	3225mm / 10'-7"	3225mm / 10'-7"
4 Overall Track Length	5194mm / 17'-1"	5194mm / 17'-1"
5 Overall Track Width	3454mm / 11'-4"	3454mm / 11'-4"
6 Track Gauge	2743mm / 9'-0"	2743mm / 9'-0"
7 Track Height	1220mm / 4'-0"	1220mm / 4'-0"
8 Track Width	711mm / 2'-4"	711mm / 2'-4"
9 Minimum Ground Clearance	870mm / 2'-10"	870mm / 2'-10"
Machine weight**	33398kg / 73475lbs	37170kg / 83475lbs
Ground Pressure Single Grouser (711mm / 2'-4")	(55.5 kPa / 8.0 psi)	(63.1 kPa / 9.1 psi)

**basic, without skylight and accessories

BOOM SYSTEM PERFORMANCE	FH277BL & FHL277BL
Standard Cylinders	125 mm / 4.9"
Optional Cylinders	135 mm / 5.3"
FH33 - Boom Length (min/max)	3,7m (10'2")/ 10,2m (33'7")
FH33 - Bare Pin Lifting Capacity (standard cylinder)	6,1m (20') = 10340kg (22800 lb)
	9,1m (30') = 6850 kg (15100 lb)
Full reach	4445 kg (9800 lb)
FH30HD - Boom Length (min/max)	2,8m (9'2")/ 9,4m (30'11")
FH30HD - Lifting Capacity at full reach	6,1m (20') = 10930 kg (24100 lb)
	7,6m (25') = 9390 kg (20700 lb)
Full reach	7210 kg (15900 lb)



BASE UNIT

- Fire suppression system
- 24 V system, 2 x 1150 amp batteries, 110 amp alternator
- 3 LED worklights on cab, 2 x on hood and 1 x inside engine compartment
- Reinforced cooling system
- Climate controlled cabin

DIESEL ENGINE CUMMINS L9

- 242kW (325CV) 1800 RPM
- In-line 6, turbo w/wastegate
- 8.9L (543 cu. in.)
- Tier 4 Final, NA (Stage 5, EU)

ACCESSIBILITY

Through the hood, access to the diesel engine is possible from two sides. Once opened, the hood turns into a platform for component service. All filtration systems are accessible for cartridge replacement. Easy access to batteries when needed.

ELECTRICAL SYSTEM

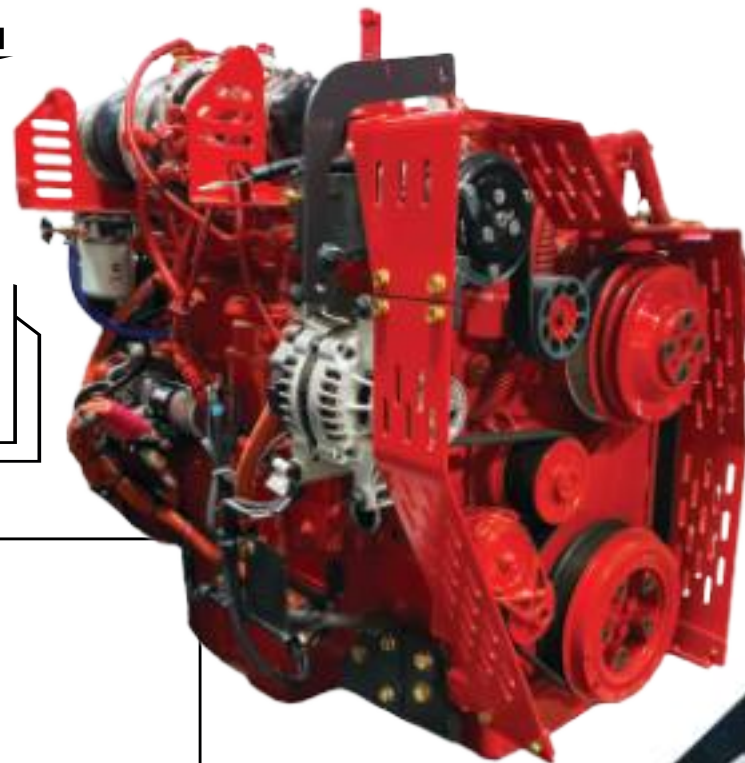
Voltage	24V
Alternator	110amp
Batteries	2 x 1150amp
Lighting	LED
Travel Alarm	YES

COOLING SYSTEM

Aluminum side-by-side radiators, oil, water and air cooler, hydraulically driven fan, variable speed, reversible rotation.

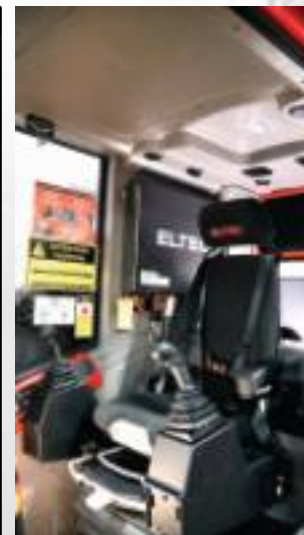
HYDRAULIC SYSTEM

The main block is the central point of all hydraulic functions for the machine. The new Linde block offers an integrated system of the 8 main valves as well as the solenoid valves. This new block directly controls the pressure and also allows the reduction of connections and hoses. The integration of this new block allowed reconfiguration of the positioning; the block is now positioned higher which increases the space between the block and rotation unit.



CABIN

Cabin	ROPS – FOPS – OPS certified, 3 emergency exits, climb on 8 anti-vibration pads significantly reducing vibrations
Vision	Best in class for peripheral vision, front window in full length polycarbonate, 32mm / 1.25" thick
Console	2 complete consoles to the right of the operator
Control System	Electronic steering system. Load management and response of the main and attachment pumps configurable from the machine interface, calibration possible to meet the specific use of the machine. Each function is configurable by the operator and multiple operators can be stored in memory, ability to duplicate the operator. New electronic management of oil sharing between functions or between attachments, firmness of rotation, aggressiveness of the machine, all configurable by operator. Interface for improved diagnostics with display of hydraulic pressures in real time.
Screen Interface	Robust screen, waterproof navigation buttons, user-friendly interface
Control Sticks	Electric, seat armrest mounted
Climate Control	Complete, several adjustable louvers at strategic locations for operator comfort
Seat	Size options, air suspension, multiple adjustments, heated



UPPER STRUCTURE

Type of rotational system - Single swing unit, 2 stage planetary reduction	Single rotation unit, 2 stage reduction to planetary (5% torque increase vs A series)
Swing Drive Speed	6.5 RPM
Swing Drive Bearing diameter	1339mm / 4'-5", Internal gears in grease bath

HYDRAULIC SYSTEM

	FB277BL	FH277BL
Main pump 1, piston type, Load sensing, Electronic load control	370L/min (98gpm US)	370L/min (98gpm US)
Main pump 2, piston type Load sensing, Slave hydraulic load control	175L/min (46 gpm US)	175L/min (46 gpm US)
Attachment pump, piston type, pressure compensated	185L/min (49 gpm US)	
Attachment pump, piston type, Electronically flow and pressure controlled		370L/min (98gpm US) OPTION up to 440lpm (116gpm US) by sharing main pump
Saw pump	131L/min (35gpm US)	
Oil filter	1 main return filter, return with bypass, 1 sump drain filter, suction strainer	1 main return filter, return with bypass, 1 sump drain filter, suction strainer
Main hydraulic block	Linde	Linde
FRS - Flow Recovery System	Flow recovery system assisted by kinetic energy, allowing faster in-out boom and mast cycles using less flow, which allows better distribution of fluid to the rest of the functions. System exclusive to the Eltec B series.	Flow recovery system assisted by kinetic energy, allowing faster in-out boom and mast cycles using less flow, which allows better distribution of fluid to the rest of the functions. System exclusive to the Eltec B series.

LEVELLING SYSTEM - TILT ANGLES	FBL277BL	FHL277BL
Front (degree)	20°	20°
Sides to Side (degree)	15°	15°
Back (degree)	3°	3°



UNDERCARRIAGE CHASSIS

Size	D7
Track Chain	216mm / 8.5"
Number of Track Links (per side)	50
Lower Rollers (per side)	9
Carrier Slides/Rollers (per side)	1
High Travel Speed - Forward/Reverse	3,6 km/hr - 2,2 mph
Low Travel Speed - Forward/Reverse	1,7 km/hr - 1 mph
Tractive Effort Normal	445 kN/100000 lbf

